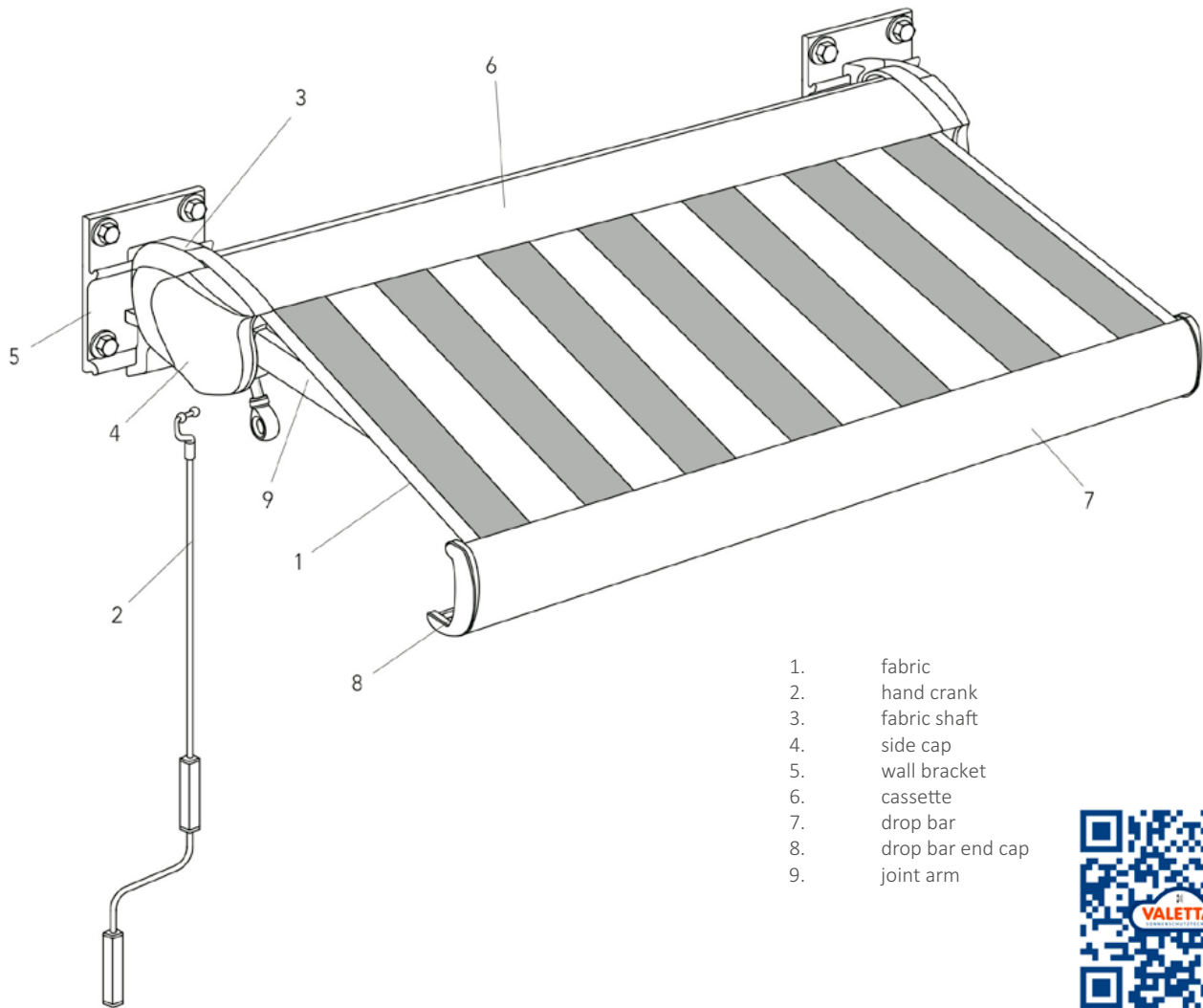


VALETTA CASSETTE AWNING PALMA



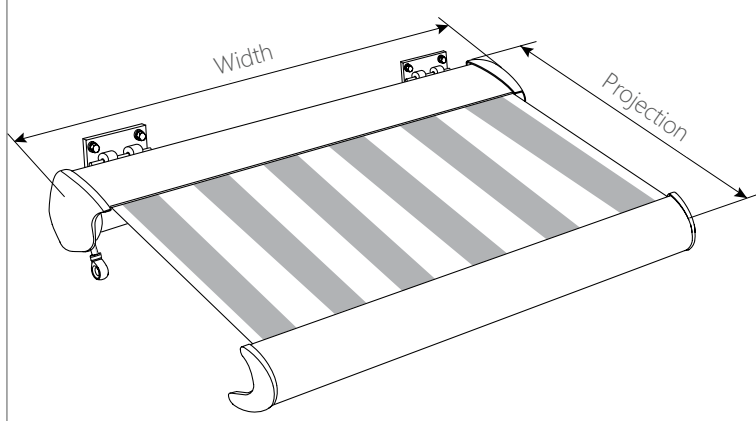
ATTENTION:

Please check shipment for transportation damages.
 Please check if the shipment is corresponding with the attached delivery note.

PLEASE NOTE:

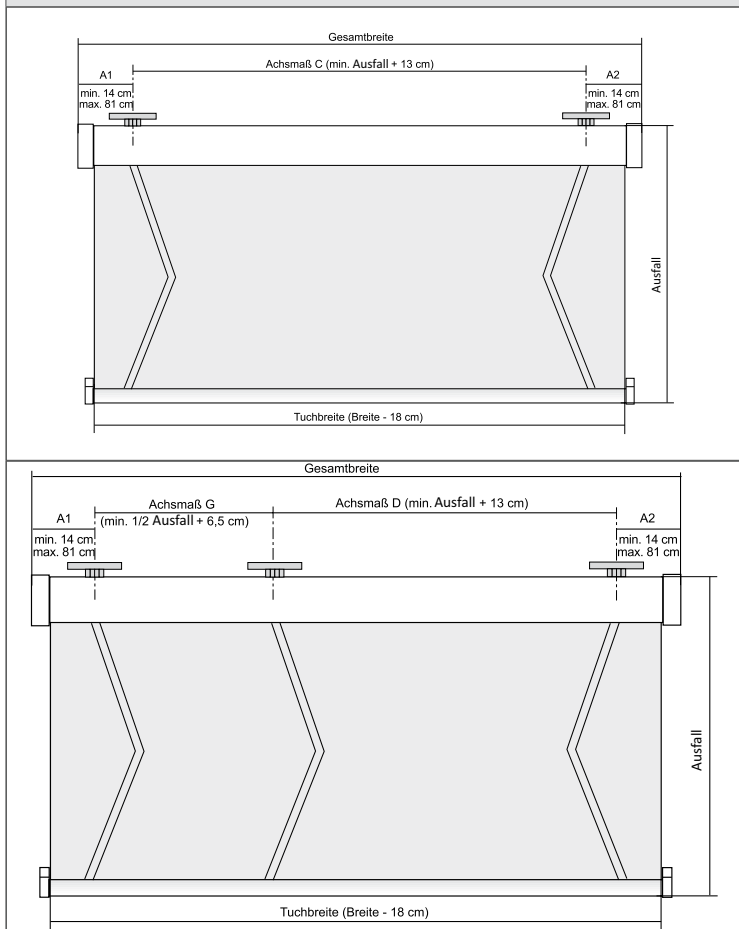
Shipment is without fixing screws or dowels. Fitter has to use appropriate installation material, depending on quality and material of the wall.

The awning is a sun shading product and not made to withstand gusty or constant wind and heavy rain.
 Please inform your customer about all the safety features to avoid a misuse of the product.

TECHNICAL DETAILS	
	Width: from 190 cm to 700 cm Coupled from 651 cm to 1200 cm
	Projection: 150 / 200 / 250 / 300 / 350 cm
	Angle of inclination: adjustable from 5° to 35°
	Installation: wall / ceiling / rafter

VALETTA CASSETTE AWNING PALMA

OVERHANG AND AXLE DIMENSIONS



Width (cm)	OVERHANG (cm) Dimension A1/A2 Outer edge to center of bracket					
	150	200	250	300	350	400
190-239	14					
240-289	38	14				
290-339	61	38	14			
340-389	81	61	38	14		
390-439	81	81	61	38	14	
440-489	81	81	81	61	38	14
490-539	81	81	81	81	61	38
540-600	81	81	81	81	81	61
601-619	81/260*	81/273*	81/285*	61/318*	26/365*	81
620-639	81/270*	81/283*	81/295*	71/318*	36/365	81
640-650	81/280*	81/293*	81/305*	81/318*	46/365*	81
651-660	81/285*	81/298*	81/310*	81/323*	51/366*	81
661-680	81/290*	81/303*	81/315*	81/328*	56/366*	14/420*
681-700	81/300*	81/313*	81/325*	81/338*	66/366*	26/417*

*Axle dimension C



overhang and projection

The projection describes the maximum extension length of an awning from the wall to the front or, in the case of vertical awnings, from top to bottom. The projection is measured when the awning is extended from the wall along the slope to the front profile.

VALETTA CASSETTE AWNING PALMA

INSTALLATION OF THE BRACKETS

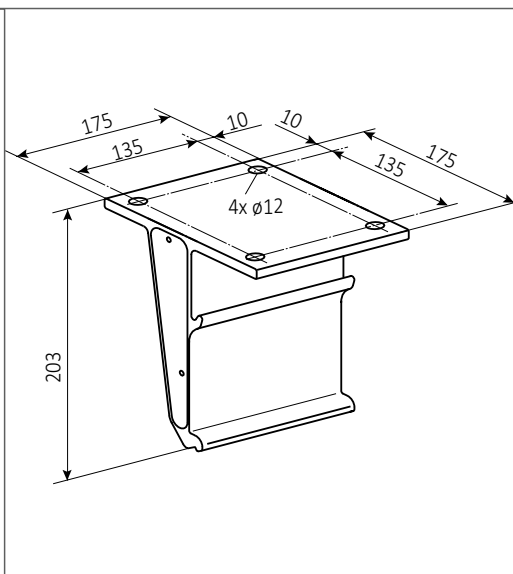
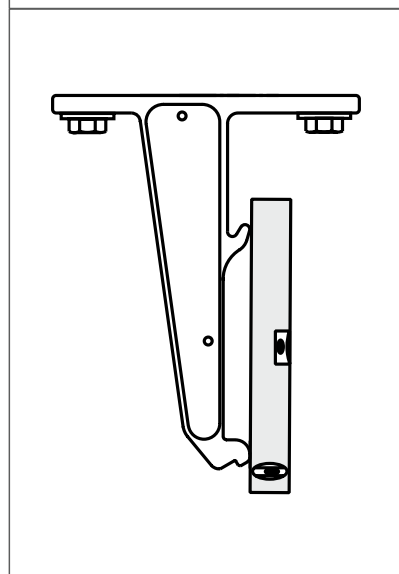
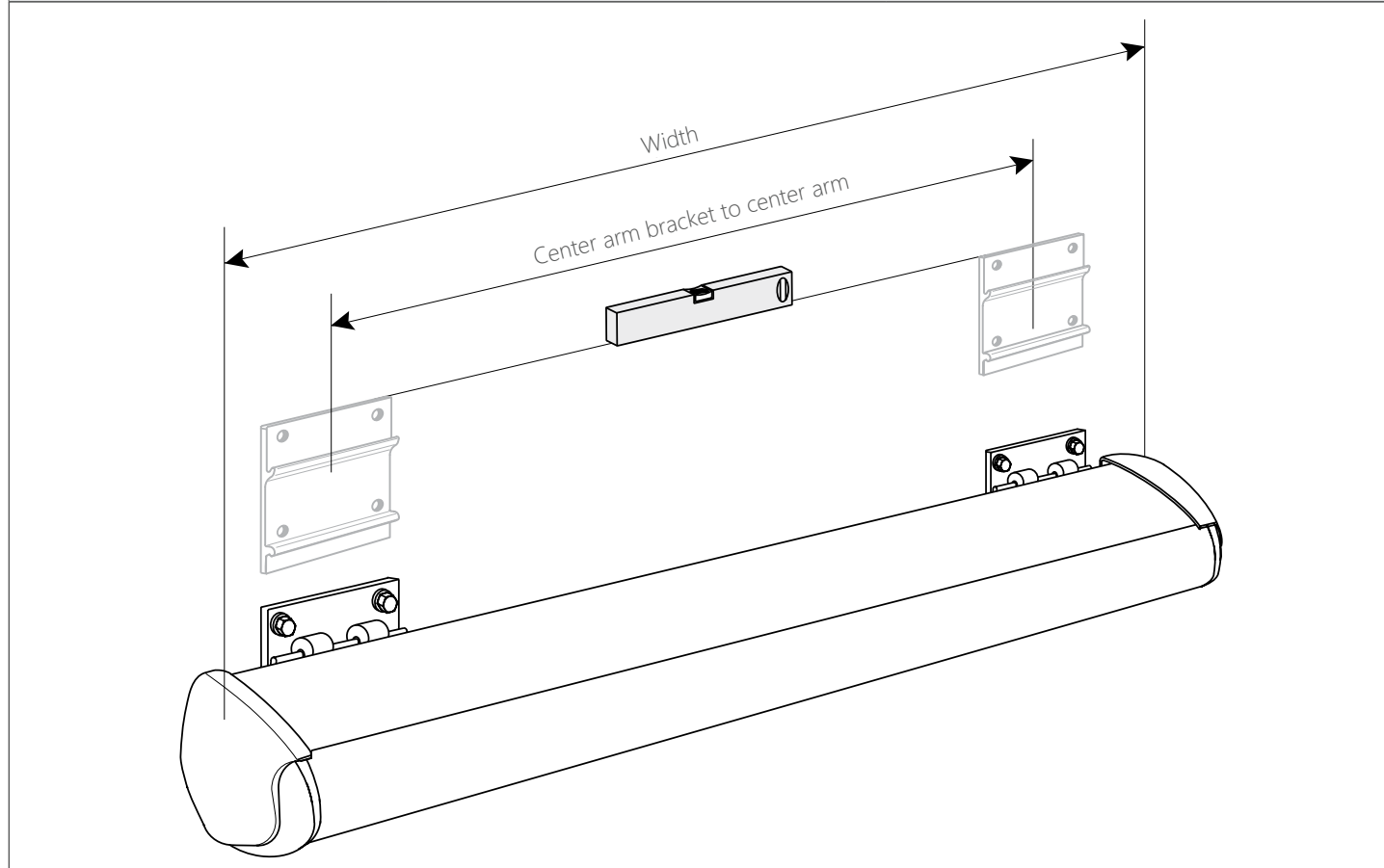
Mark the total awning width on the wall or ceiling.

Check the alignment with a robe (horizontal).

Check the measurement center arm bracket to center arm bracket and mark it also on wall or ceiling.

Crew brackets to the wall or ceiling and check the alignment.

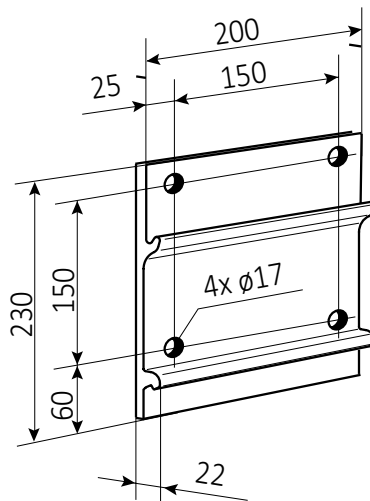
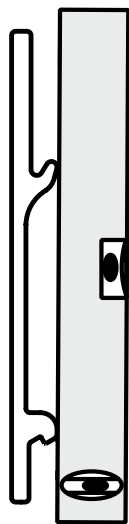
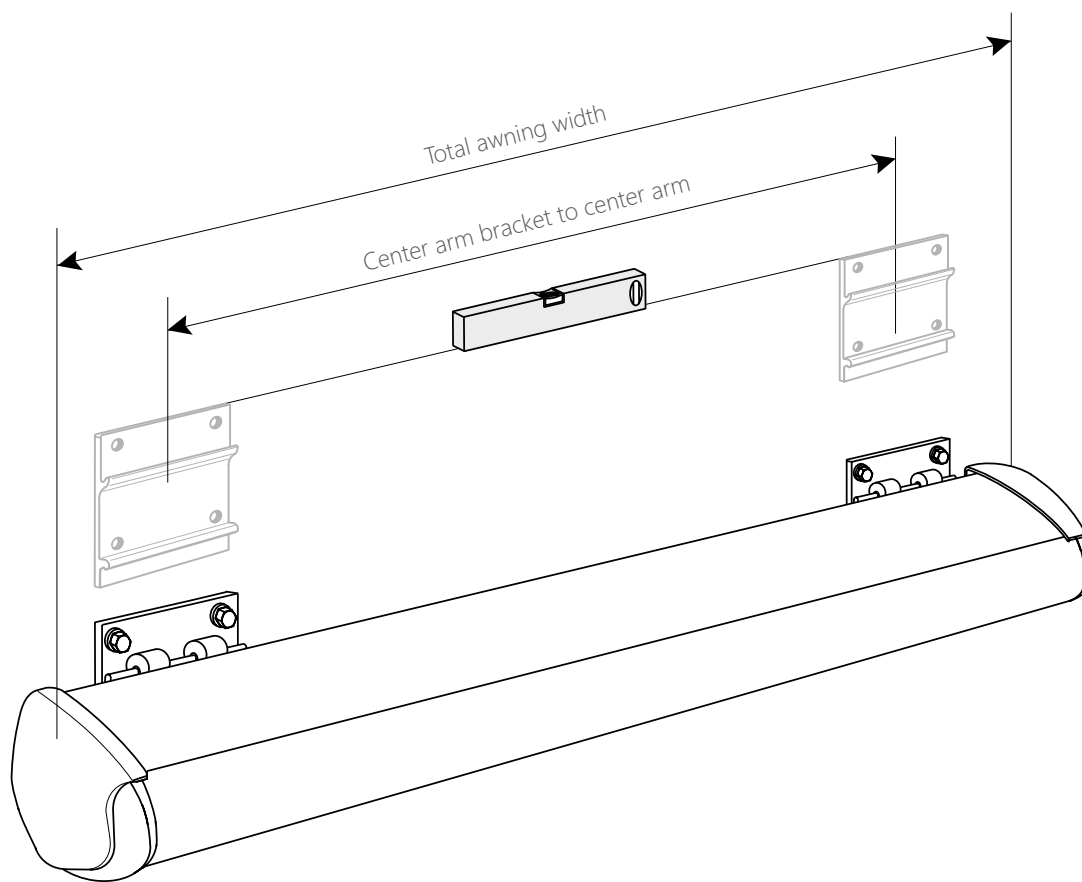
CEILING INSTALLATION



PLEASE NOTE:
Installation material has to match material and quality of wall or ceiling!

VALETTA CASSETTE AWNING PALMA

WALL INSTALLATION

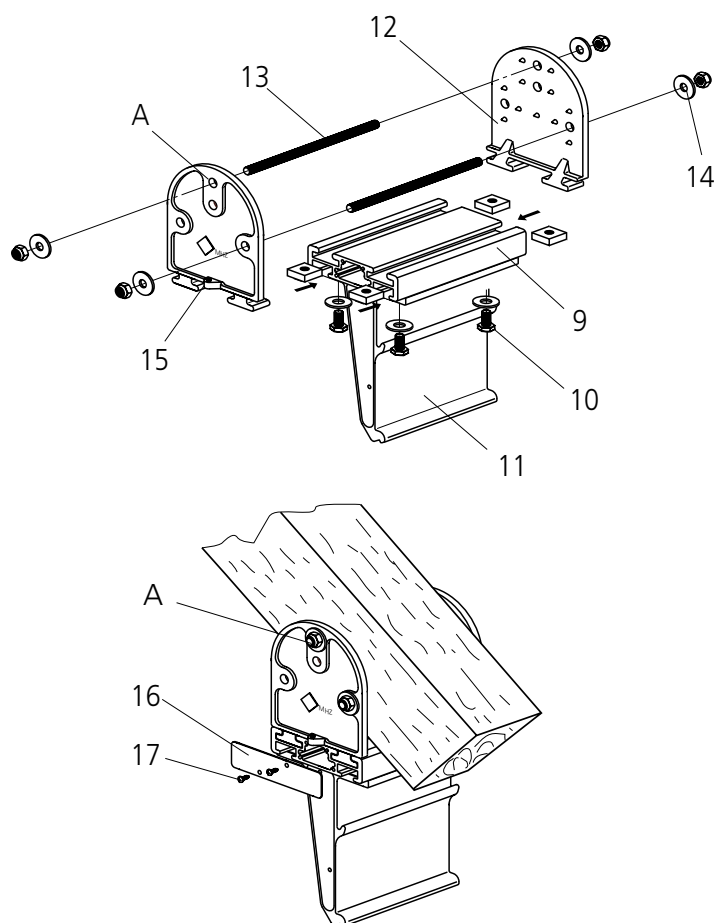


PLEASE NOTE:

Installation material has to match material and quality of wall or ceiling!

VALETTA CASSETTE AWNING PALMA

RAFTER INSTALLATION



Slide both plates into the grooves of the carrier plate. Mark the top hole on the rafter and drill a hole into the rafter (use a 12 mm drill). Putz the threaded rod (11) through and secure it with washers and nuts M10.

Make the alignment of the ceiling brackets as shown before.

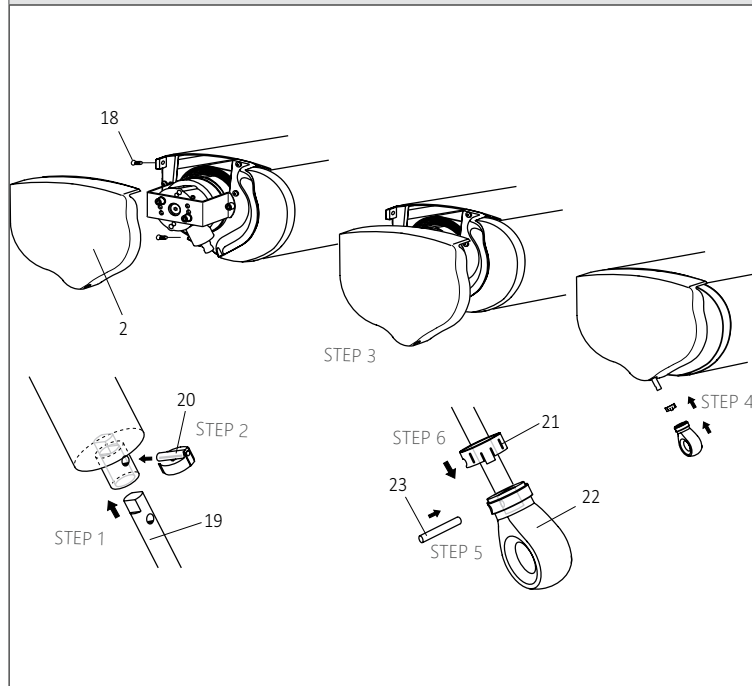
Drill the second hole according to the 2 plates and fix the second threaded rod as the first one.

Secure the tap screws.

Side plates can also be fixed with wooden screws in the top hole on both sides if you can't drill a hole through the rafter.

VALETTA CASSETTE AWNING PALMA

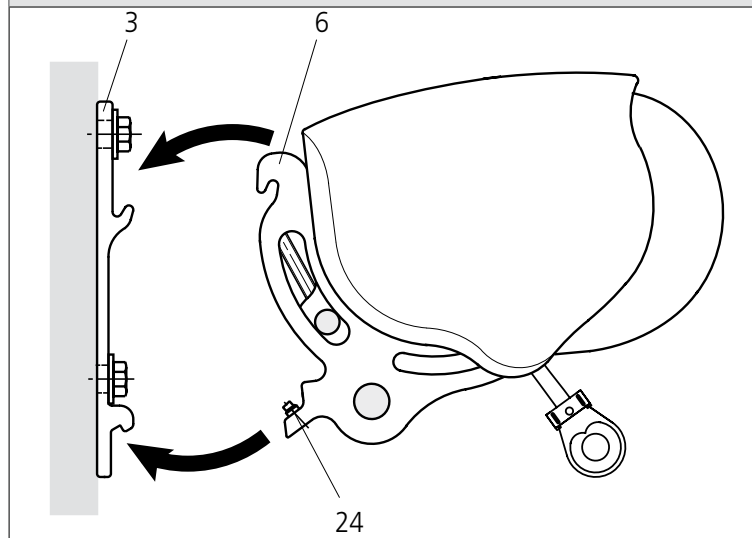
ASSEMBLING OF THE GEAR EYE SET WITH EXTENSION SHAFT



BEFORE YOU PUT THE AWNING INTO THE BRACKETS, YOU HAVE TO ASSEMBLE THE GEAR EYE SET WITH THE EXTENSION SHAFT.

Open the screws (18) on the gear side of the awning and remove the side cap (2).
 Put the extension shaft (19) into the hole in the gear and secure with the pin (20) as shown in drawing.
 Put the side cap back on and secure it again with screws (18). The slide locking ring (21) and the plastic eye (22) on the the extension shaft. Move the plastic eye into the right position until you can put the straight pin (23) through the hole to connect the eye with the extension shaft (drawing).
 Move the locking ring (21) to the eye until they are engaged.

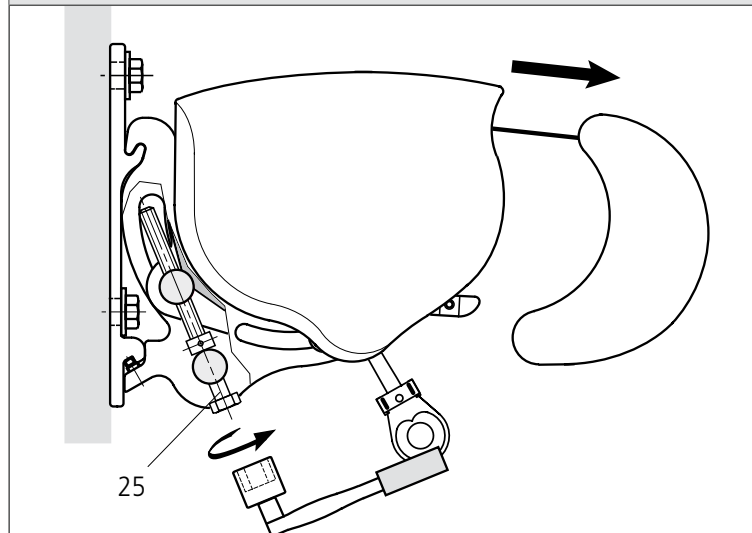
HANG UP OF THE AWNING



Lift the awning with the arm bracket (6) into the wall bracket (3) and fix it with the tap screws (24).

PLEASE NOTE:
 Always tighten the outward screws first and then the inward screws of the brackets.

ADJUSTMENT OF INCLINATION



Put the awning in his full extension and turn the spindle (25) until you reach the required inclination. Make sure drop bar is in level. If you lift the arms a little bit during the adjustment it is easier.

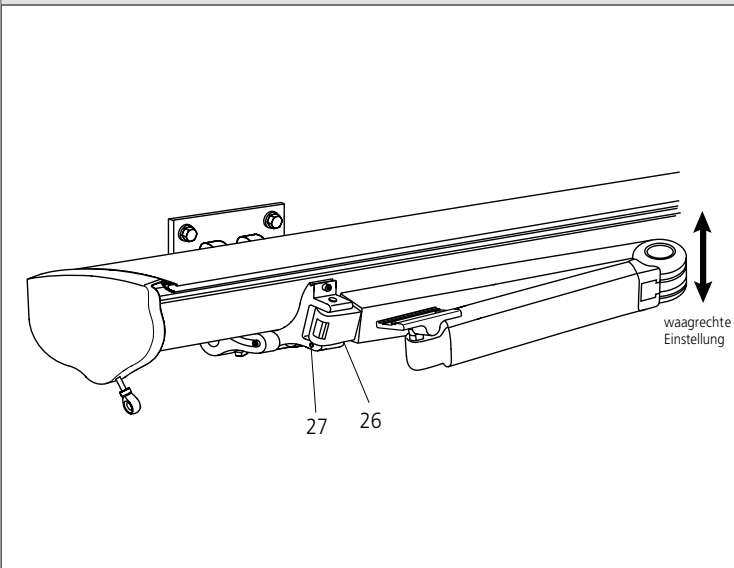
Right turns = less inclination
 Left turns = more inclination

Regulation range from 5° to 35°

Please check if arms are horizontal, otherwise act as described on page before.

VALETTA CASSETTE AWNING PALMA

HORIZONTAL ADJUSTMENT OF THE ARMS



If the arms of the retracted awning are not horizontal, please act as follows:

Extend the awning around 20 cm.

Release the tap screw (26) showing to the middle of the awning. Release or tighten the tap screw (27) on the opposite side of the arm bracket to adjust the arm position.

PLEASE NOTE:

- If you release the tap screw the arm is moving down.
- If you tighten the tap screw the arm is moving up.

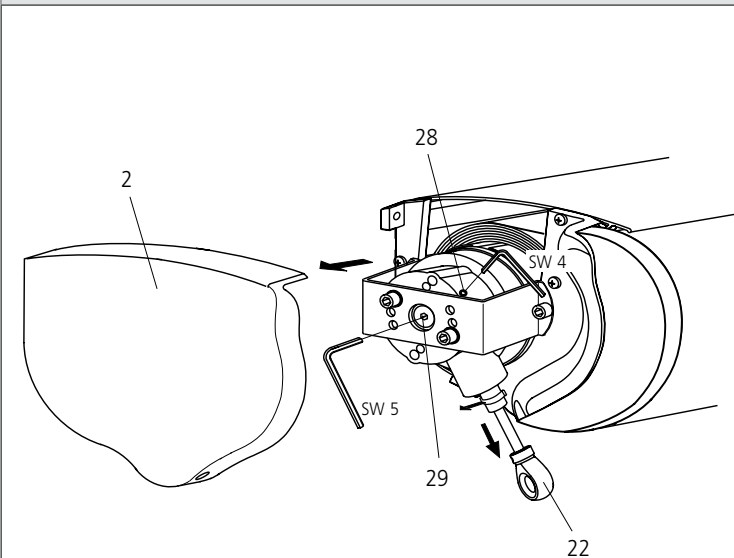
To check now the correct position of the arm, move the awning in and out.

DON'T FORGET:

After adjustment the arms you have to tighten the screws (26/27) again!

Drawing without drop bar!

ADJUSTMENT OF THE GEAR



The gear adjustment is already done from our production. In case you want to change the limit stop, please follow the steps:

Remove the pin from the extension shaft and take the plastic eye (22) of the gear. Remove the side cap (2). Put the plastic eye back on. Extend the awning to the desired end position. Release the locking screw (28) of the gear. Now you are able to adjust the spindle lock (29) with the key.

DON'T FORGET:

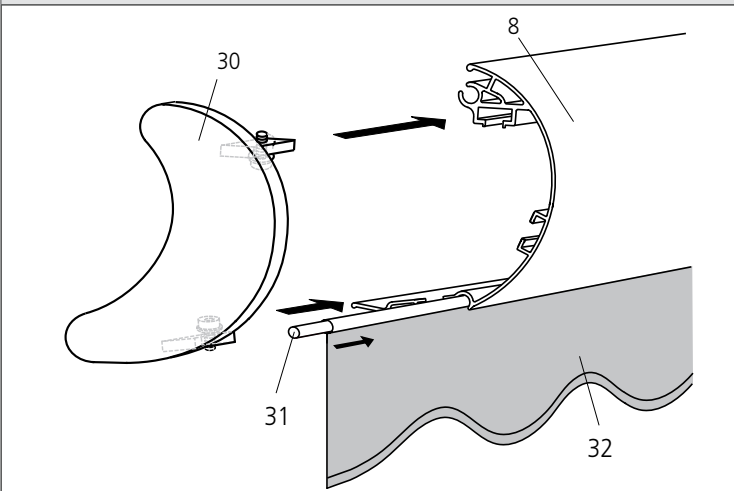
After adjustment the limit stop you have to tighten the locking screw (28) again.

Remove the plastic eye, put the end cap back on and connect the plastic eye again with the extension shaft.

PLEASE NOTE:

Up-direction turn in direction of the wall (less projection).
Down-direction turn in direction away from the wall (more projection).

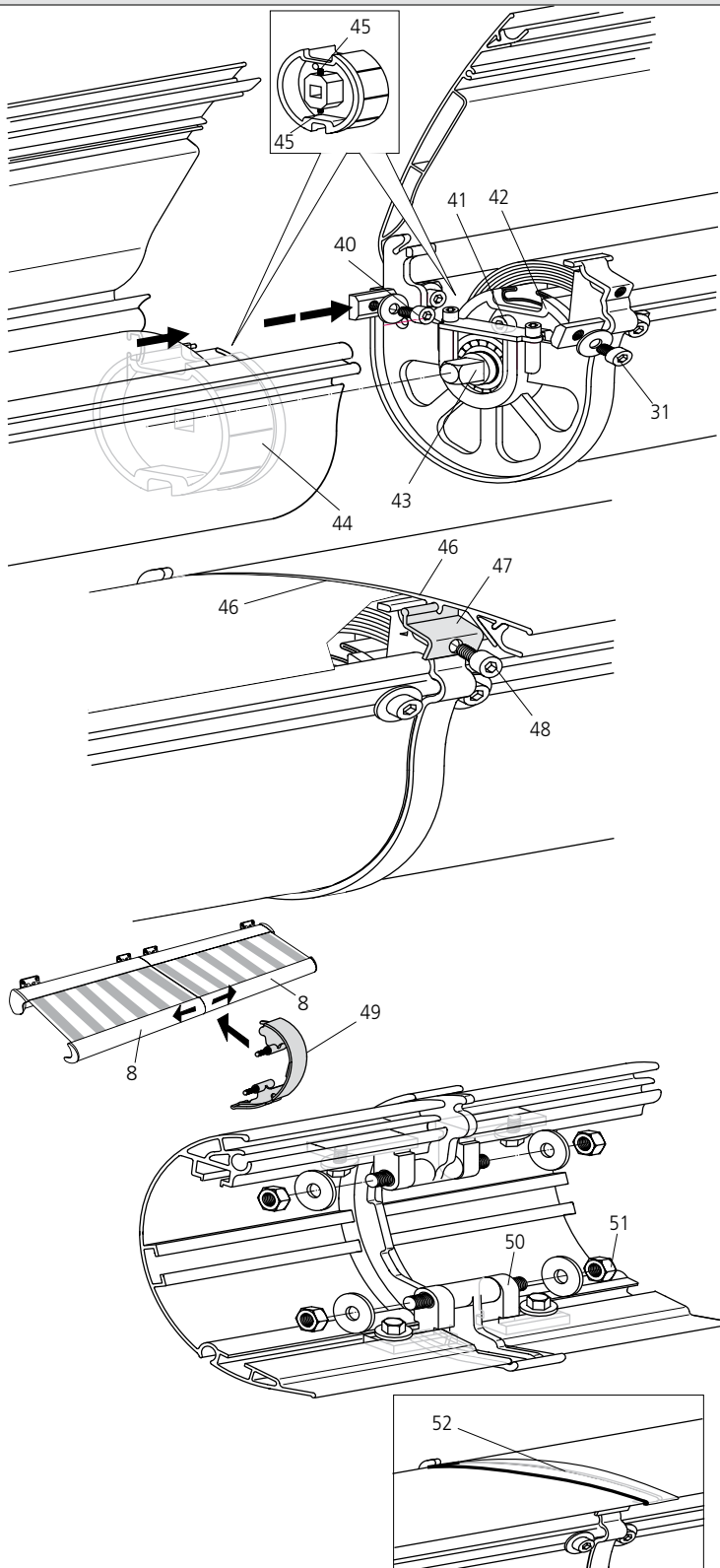
VALANCE (ACCESSOIRES)



If desired you can use a valance in the front bar.

Remove the screw in the drop bar endcap (30) from the drop bar (8). Slide the fabric insert (31) into the pocket of the valance (32). Slide the valance into the front bar. Put the drop bar endcap back on to the front bar and tighten the screw.

COUPLING



ATTENTION:

Please do not remove the security strap from the arms until you coupled the fabric tube. There is a high tension on the arms.

- **Danger to get hurt!**

1. COUPLING OF THE BOTTOM COVER

Do the installation of the awning half with motor, as described for a normal awning. Lift the other half of the awning into the wall brackets and slide it to the coupling bracket.

Fix it with washer and screws (31).

2. COUPLING OF THE FABRIC TUBE

DON'T FORGET:

Both fabric tubes must have the same number of fabric windings and the groove of the fabric tubes must be in alignment.

When you turn the adjusting screw (41) of the coupling insert (42), you move the square bolt (43) into the fabric tube insert of the 2nd half of the awning. Tighten tap screws (45) of both fabric tube inserts (42, 45).

3. Install both cover tops (46).

Take the locking bar (47) and fix it (48) with the coupling bracket.

4. Remove the security straps from the arms.

5. Extend the awning completely.

6. Check if the horizontal position of both drop bars is equal. If not act as described on page „adjustment of inclination“.

7. Coupling of the drop bar

Separate the drop bars (8) and assemble the coupling bracket (49) with the already 4 installed supports (50) of both halves of the drop bar. Secure it with washer and nut.

8. Put the cover seam (52) on to the gap of the cassette and clamp it under the lip of the coupling bracket.

FURTHER INFORMATION, SUCH AS PERFORMANCE DECLARATIONS, ETC., CAN BE FOUND IN THE DOWNLOAD AREA ON OUR HOMEPAGE AT WWW.VALETTA.AT.

VALETTA Sonnenschutztechnik GmbH

Landesgericht Linz FN 86233p / UID-Nr. ATU 66 057 107

Salzburger Straße 199

A - 4030 Linz

T. +43 732 38 80-0

office@valetta.at

| Wien

| Salzburg - Puch

| Kärnten - Klagenfurt

| Tirol - Rum/Innsbruck

